



Building Your Connectivity to Enable Hybrid Cloud with VMware Cloud on AWS

Ric Vazquez

Paul Craddock

Specialist Solutions Architect - VMware



Agenda

- **Introduction to VMware Cloud on AWS**
- **Connectivity Options VMware Cloud on AWS**
- **VMware Transit Connect**
- **Advanced Traffic Routing**

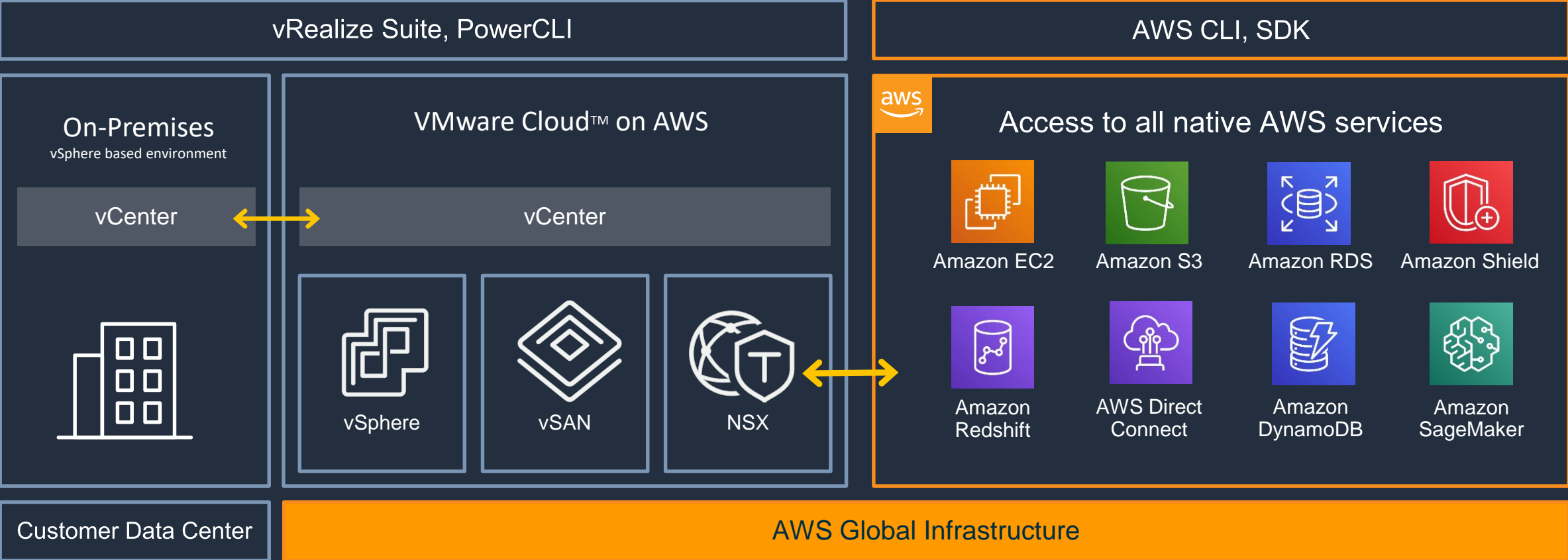


Introduction to VMware Cloud on AWS



VMware Cloud on AWS

Innovation jointly engineered by VMware and AWS



Benefits of VMware Cloud on AWS



**Managed by
VMware**



**Operational
consistency**



**Workload
portability**



**Native
integration**



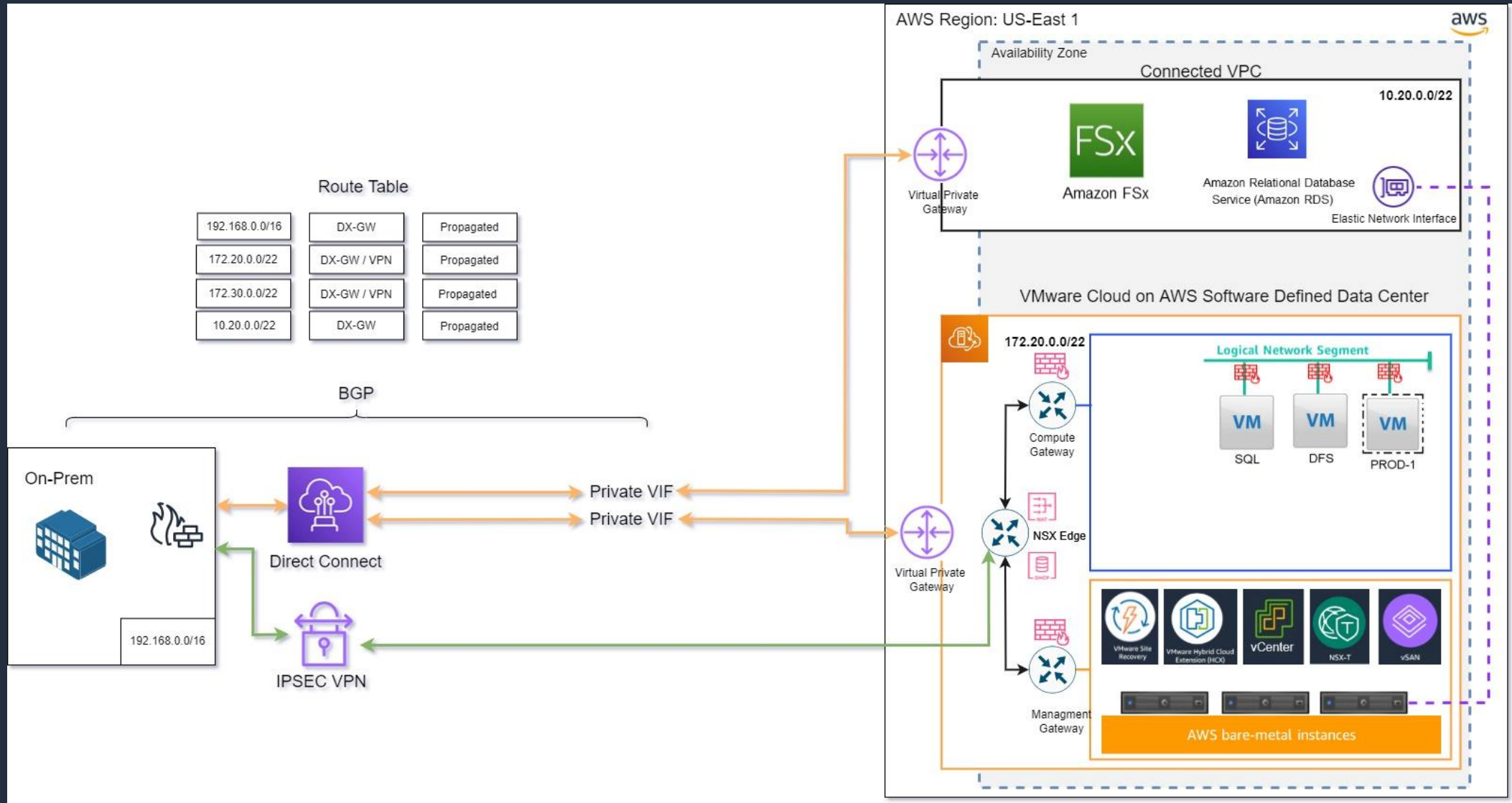
**Application
modernization**



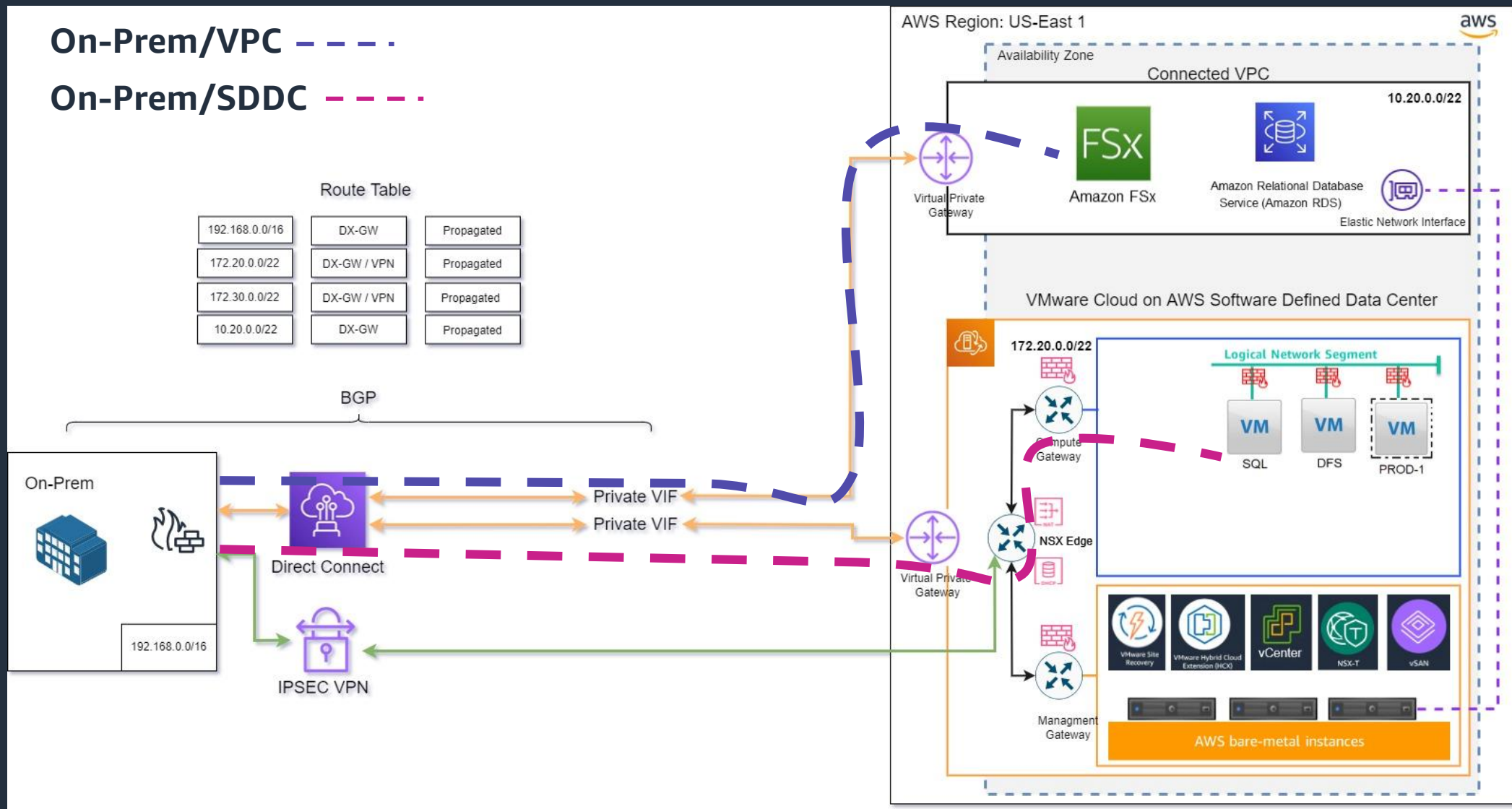
Connectivity Options VMware Cloud on AWS



IPSEC VPN or Direct Connect



IPSEC VPN or Direct Connect

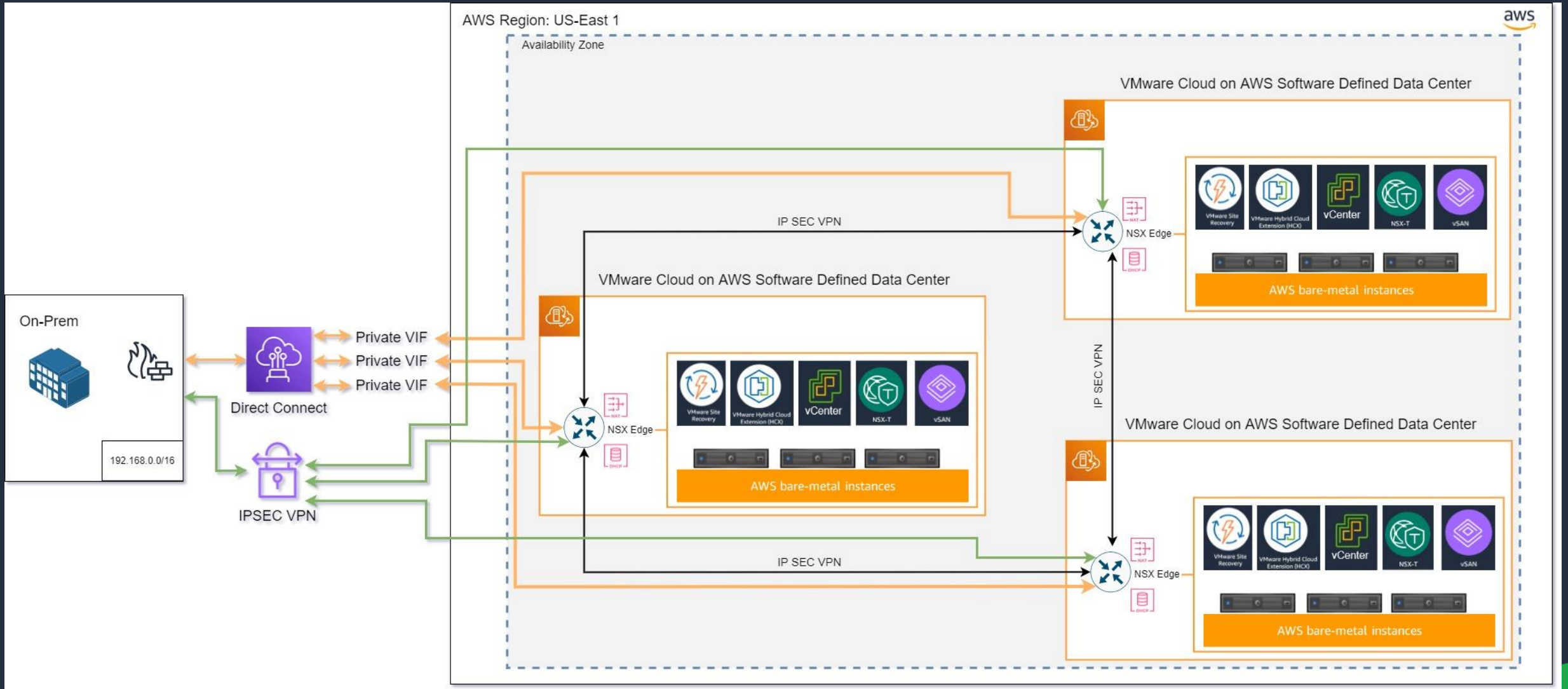


IPSEC VPN or Direct Connect - Limitations

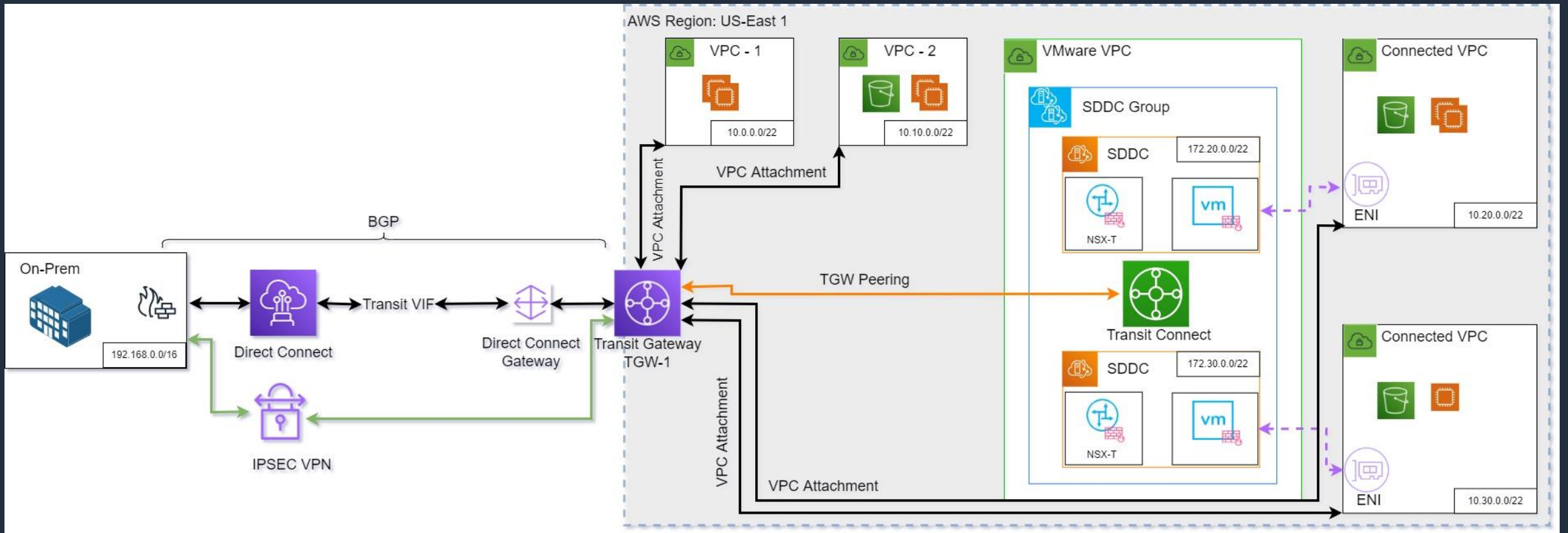
- Scale

- Point to Point VPN for Cross SDDC Communications
- Multiple Direction Connect (DX) Virtual Interfaces
- Limited Throughput

IPSEC VPN or Direct Connect - Limitations



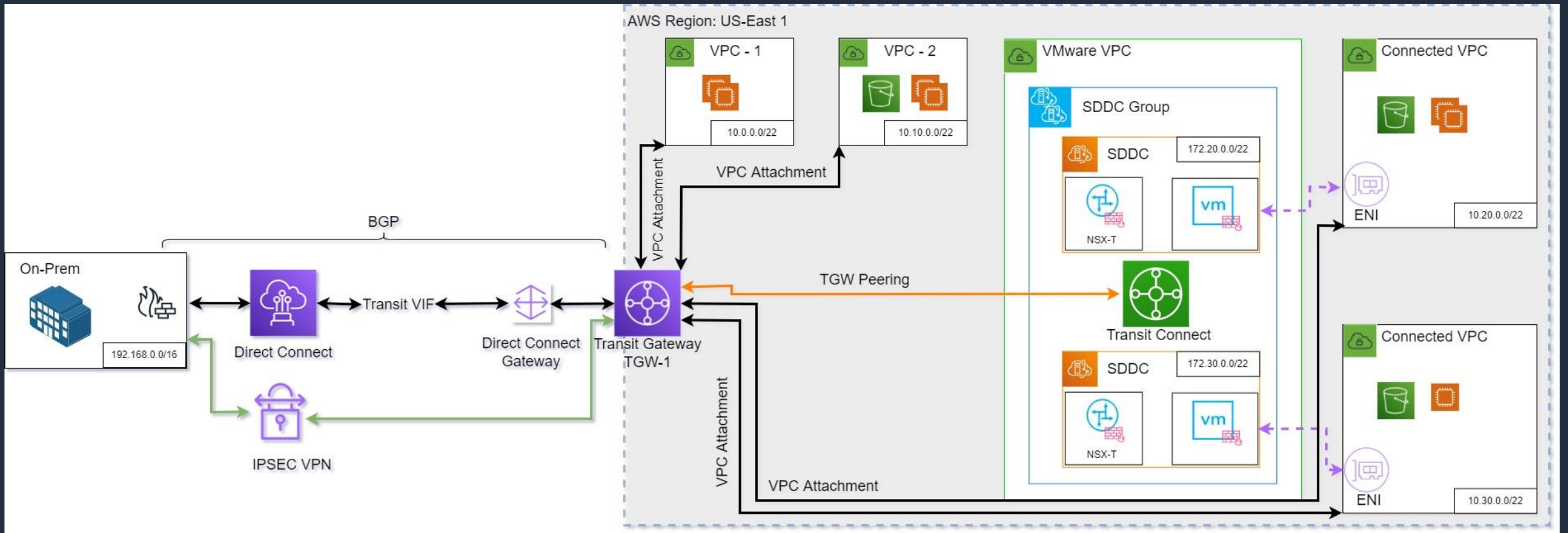
Transit Gateway and Transit Connect



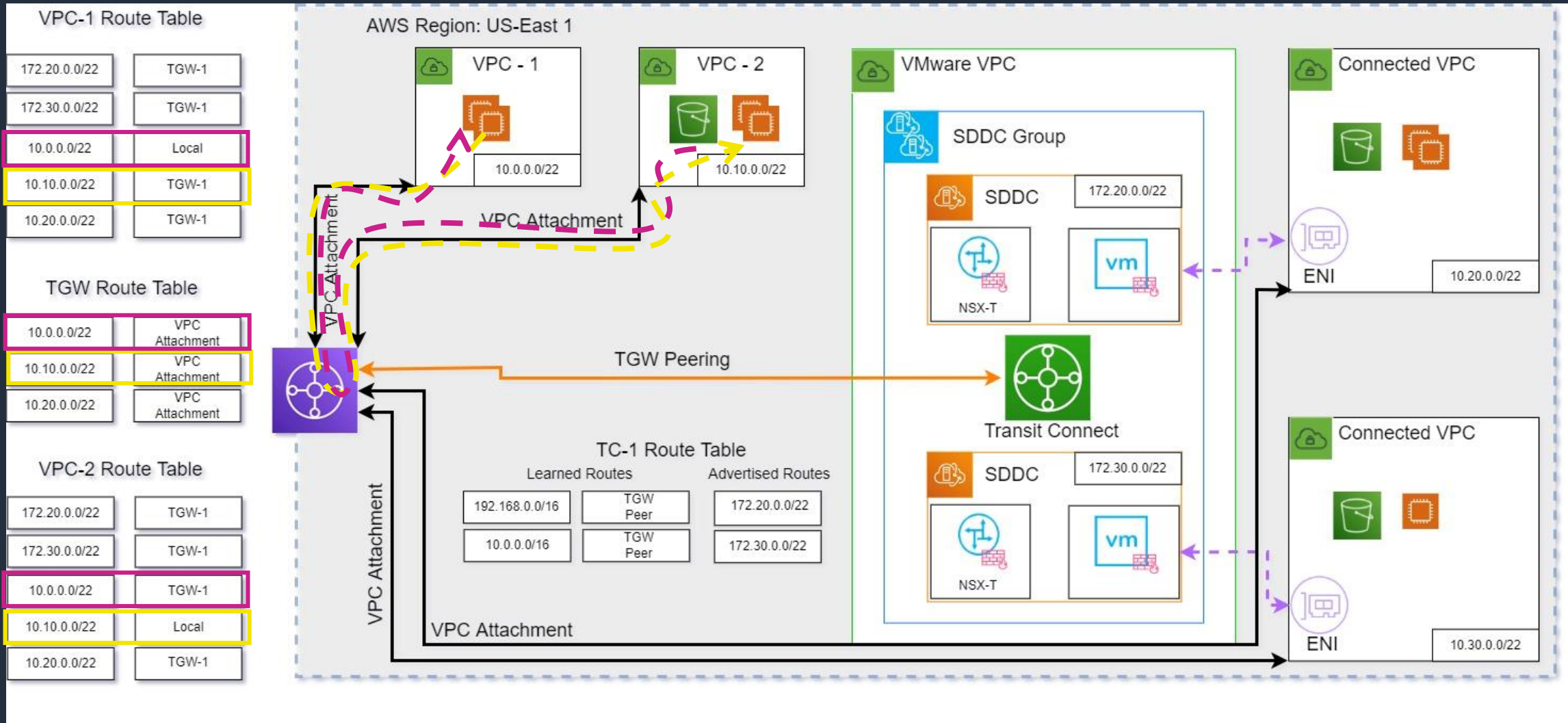
Transit Gateway and Transit Connect

- Scale – Not a Problem
 - Simplified Cross SDDC Communications
 - No Need for Multiple Direction Connect (DX) Virtual Interfaces
 - Low Latency, High Throughput

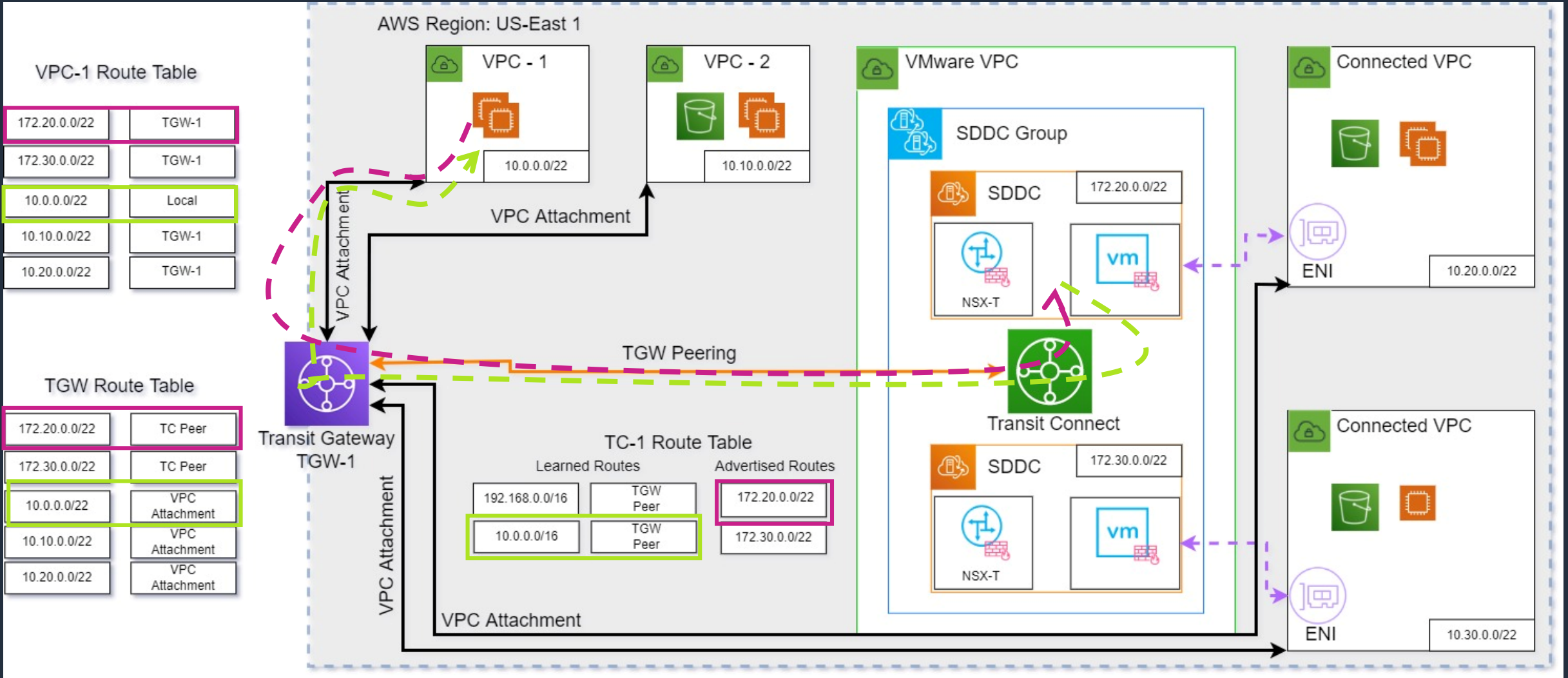
Transit Gateway and Transit Connect



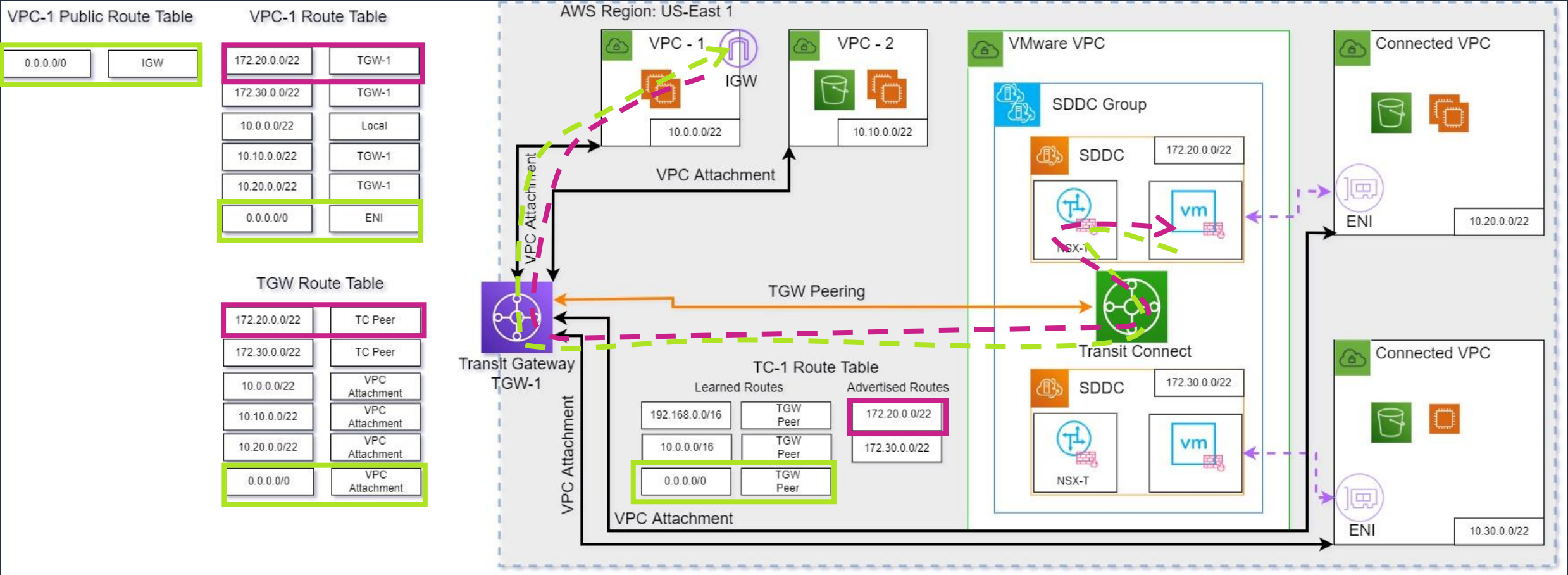
Transit Gateway and Transit Connect – VPC/VPC Routing



Transit Gateway and Transit Connect – VPC/SDDC Routing



Transit Gateway and Transit Connect – Security VPC Routing





Thank you!

