



BECOME THE LEADER IN PRIVATE LTE/5G ON THE WORLD'S LEADING PLATFORM

PLUG & PLAY SELF-CONFIGURING PRIVATE LTE & 5G NETWORKS

Grow your business on Athonet's Private LTE/5G platform - built and designed around enterprise requirements with a seamless integration into enterprises and CSP networks.

We provide the leading global Private LTE/5G network platform with an installed base of nearly half a million SIMs mainly used for mission critical applications.

Athonet has developed an advanced, next generation, connectivity platform which

- Provides a high level of enterprise self-service and integration with enterprise IT systems
- Eliminates the burden of legacy centralized cellular solutions (EPC)
- Is already integrated with all major radio manufacturers (eNB and CBSD)

The Athonet Connectivity Platform allows our Partners to rapidly deploy thousands of private LTE networks by adding off-the-shelf cellular radio equipment and devices.

By adopting our solution, our Partners can focus on building an end-to-end solution that brings value to their customers instead of making risky investments required to understand, configure and manage complex telecom solutions.

The mobile industry has globally recognized our technological achievements by awarding us the Global Mobile Awards in 2016 and 4 simultaneous Global Mobile Awards in 2019. Our deployments at **La Ronde** (the deepest mine in the Americas) and **Enel** (one of the world's leading utilities) have won the International Critical Communications Awards.



PLUG & PLAY SELF-CONFIGURING PRIVATE LTE & 5G NETWORKS

GET CONTROL OF THE NETWORK

Athonet has over a decade of proven expertise in the field of private wireless networks. Athonet launched its first private LTE network in 2010.

Our platform allows network integrators and service providers to deploy and manage thousands of private cellular networks from a remote control center, allowing an enterprise high levels of self-service for SIM Management, local-IP addressing, mobile network segmentation and simple trouble shooting.

We take care of the wireless technology. You get control of the network. We provide the platform to give you the visibility, security and management of your network.

ATHONET'S CBRS AND U.S. NETWORKS

Athonet customers have deployed some of the earliest CBRS networks in the USA. Our platform has been chosen for many of the earliest CBRS deployments by enterprises including semiconductor manufacturers, electric vehicle manufacturers, logistics players, utilities, stadiums, public spaces and fixed wireless players.

Moreover, Athonet's installed base in North America includes mining companies as well as regional cellular operators that have roaming integration with Tier 1 Mobile Network Operators.



PLUG & PLAY SELF-CONFIGURING PRIVATE LTE & 5G NETWORKS

BENEFITS FOR SERVICE PROVIDERS & INTEGRATORS

PLUG & PLAY

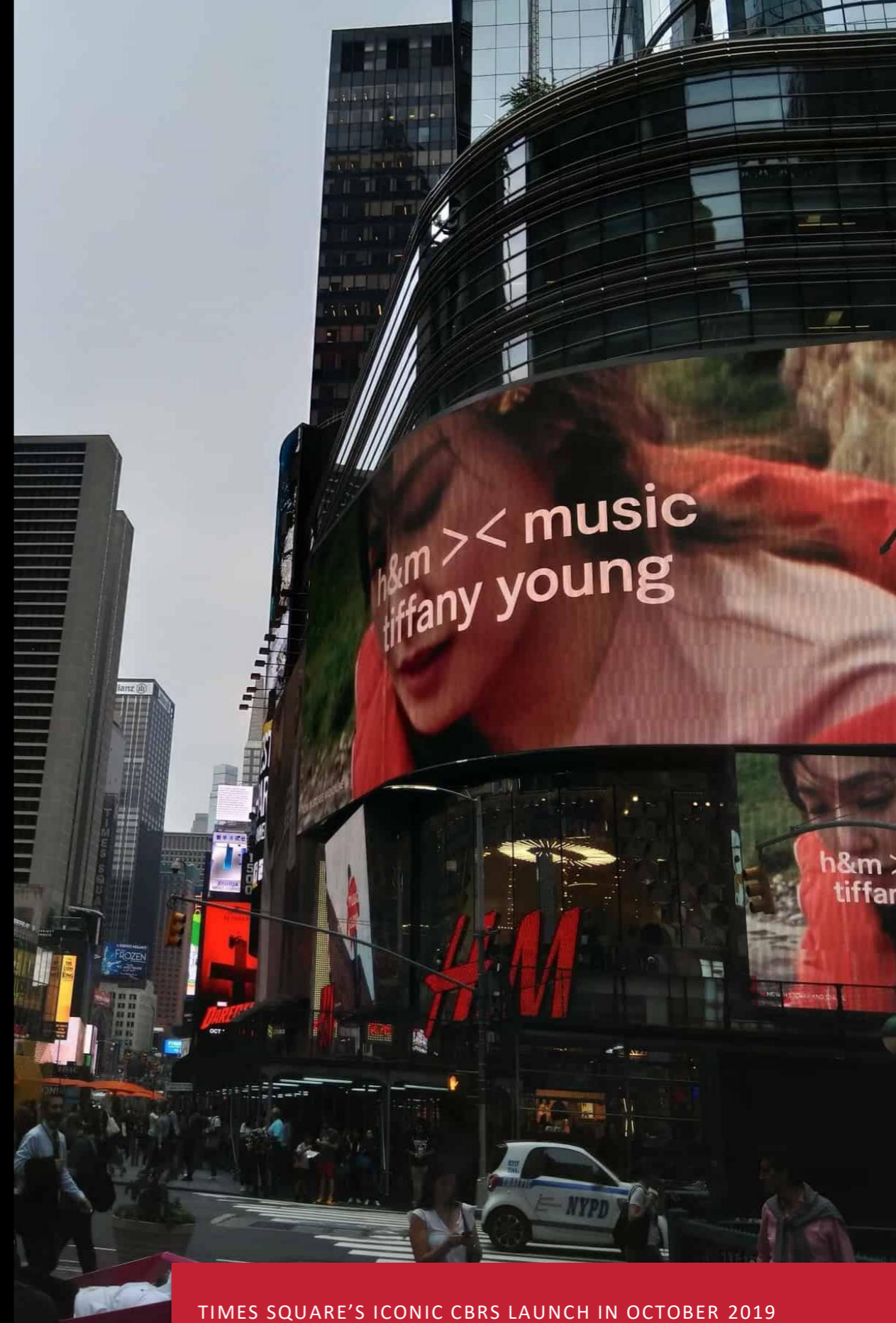
RAPID SELF-INSTALL AND MANAGEMENT

Over 10 years, Athonet has perfected a platform allowing thousands of self-configuring private network instances that can be rolled out by simply plugging a cable into the enterprise LAN.

Partners have a unique opportunity to leverage Private LTE to become leaders in the enterprise cellular market with fast start-up deployments before competitors are even out of the gate.

RELIABILITY & RESILIENCY

Athonet's platform has been operating for over a decade with field proven experience and hundreds of networks deployed and running. Our solid installed base allows streamlined operations on a robust, resilient and field- tested platform.



TIMES SQUARE'S ICONIC CBRS LAUNCH IN OCTOBER 2019
USING THE ATHONET CONNECTIVITY PLATFORM



PLUG & PLAY SELF-CONFIGURING PRIVATE LTE & 5G NETWORKS

BENEFITS FOR SERVICE PROVIDERS & INTEGRATORS

BRIDGE THE GAP

PROVEN SCALABILITY FOR MASS APPLICATIONS

Athonet brings proven scalability to the largest enterprise networks with nearly half million SIMs on its platform.

FLEXIBLE APPROACH

1. Athonet combines scalability and reliability required by any Tier 1 provider, however can support the footprint, affordability and ease-of-use required by enterprises.
2. Athonet provides a fully on-premises solution as well as a hybrid-cloud solution that allows affordable mass deployment while keeping all traffic and IP addressing local within the enterprise firewall.

INTEGRATION WITH CARRIERS

Athonet's solution supports carrier roaming and is already deployed in networks that are interconnected with Tier 1 carriers for data and voice roaming.



ATHONET'S PRIVATE LTE ENABLING INDUSTRIAL IOT AND UTILITY SOLUTIONS BASED ON LTE SINCE 2011



PLUG & PLAY SELF-CONFIGURING PRIVATE LTE & 5G NETWORKS

BENEFITS FOR SERVICE PROVIDERS & INTEGRATORS

24/7 SUPPORT

Service Providers and Integrators will need to provide customer support for enterprises without in-house cellular expertise. Athonet's customer base includes public safety, mining and other mission critical operations requiring 24x7 global support. Working with reseller partners, we provide this support tailored for the requirements of enterprise and vertical markets customers with an unmatched level of service for your customers

RADIO FLEXIBILITY

Athonet's solution is field tested and deployed with all Tier 1 RAN manufacturers and most commercial CBSD and small-cell manufacturers. Our Partners will be completely free to select the best RAN solution to meet their customers' specific performance and budget requirements



THE ATHONET CONNECTIVITY PLATFORM POWERING ANGELS STADIUM
ANAHEIM, CA

THE ATHONET CONNECTIVITY PLATFORM

DATA-CENTRIC LOW LATENCY / HIGH SECURITY ARCHITECTURE

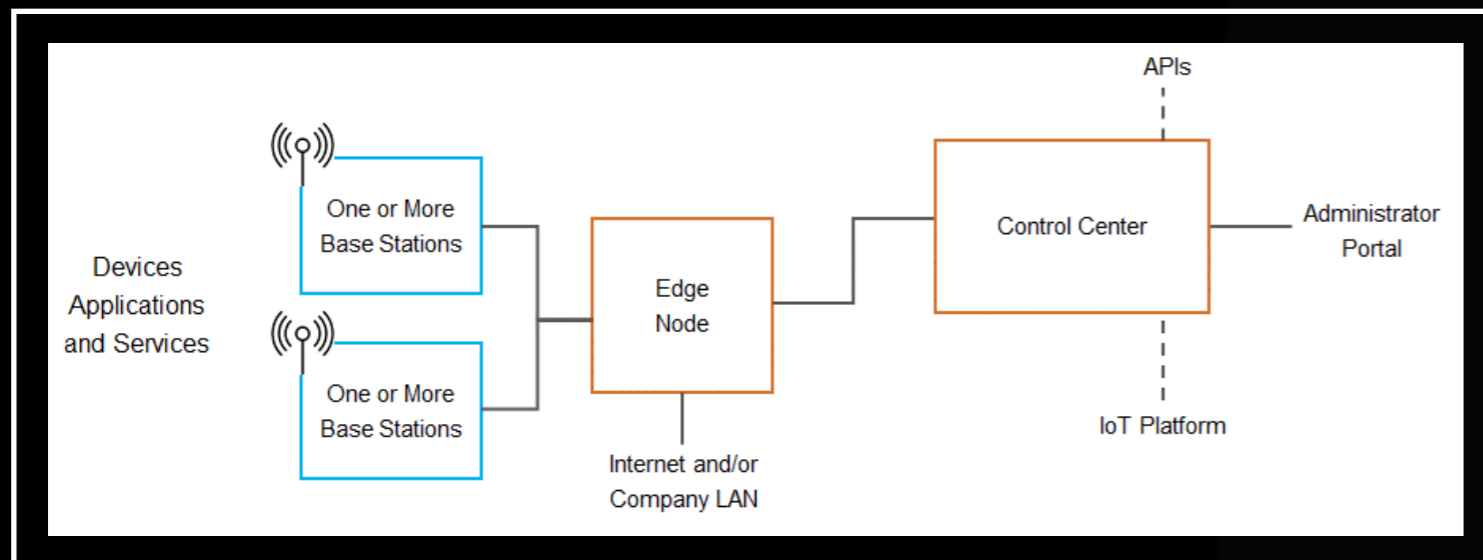
Athonet's Platform is designed around a centralized Control Center interacting with local radio base station and devices through locally deployed Edge Nodes as shown in the exhibit below. The Edge Node may use redundant hardware and sits inside the enterprise firewall, keeping traffic and user data local to meet low latency, data security and edge compute requirements.

SCALABLE AND AUTOMATED DEPLOYMENT AND MANAGEMENT

The platform allows a highly automated deployment and management of thousands of distributed private or modular networks, each anchored by an Edge Node.

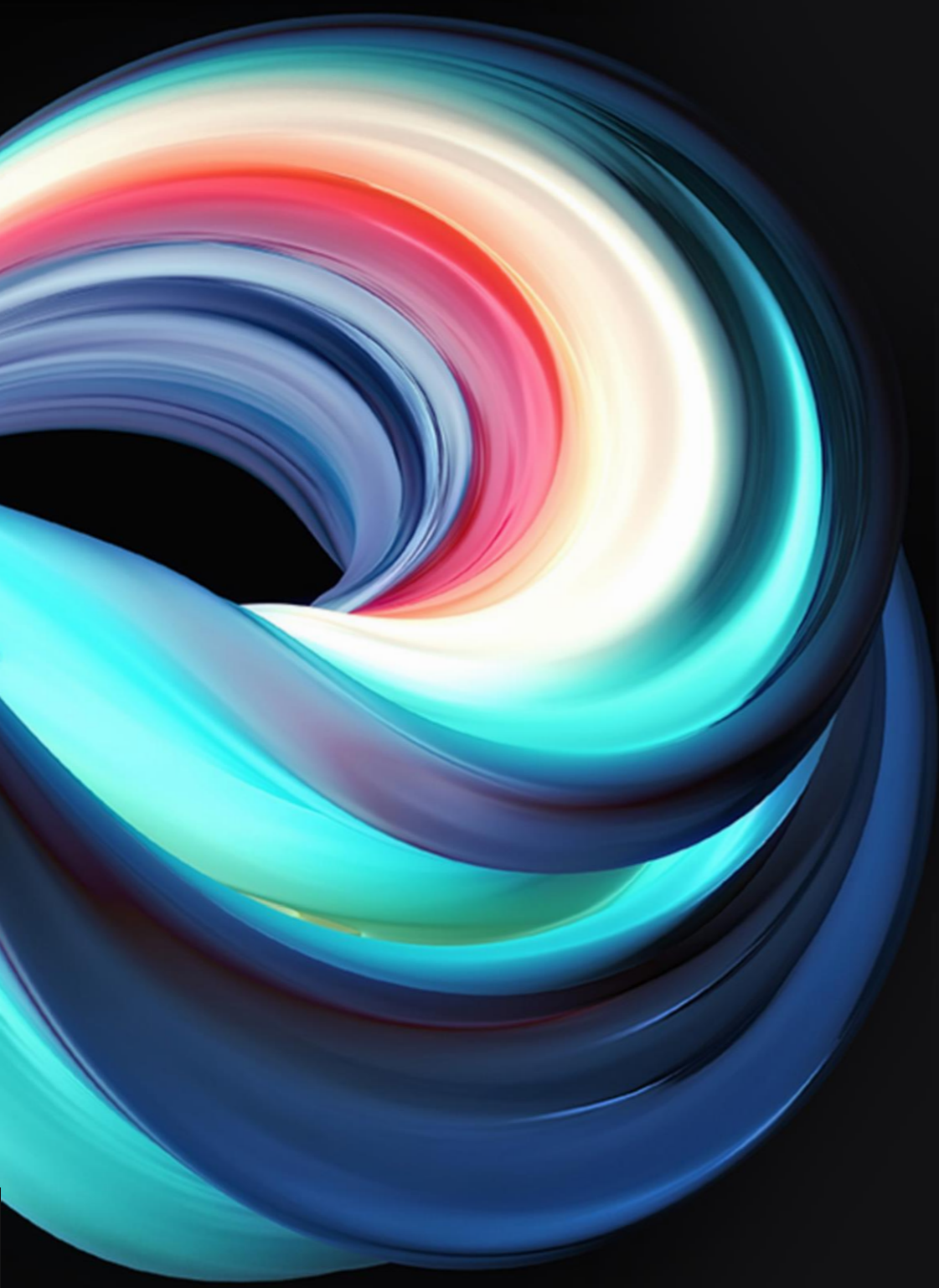
CLOUD NATIVE

The Edge Node supports both a hybrid-cloud deployment architecture for massive scalability as well as fully on-premises deployment architecture for mission critical use cases.





PLUG & PLAY SELF-CONFIGURING PRIVATE LTE & 5G NETWORKS



THE GOLD STANDARD IN PRIVATE LTE/5G AND MISSION CRITICAL TELECOMMUNICATIONS

Athonet is widely recognized as the gold standard in Private LTE/5G due to its large installed base and long list of industry awards (e.g. GSMA Mobile World Congress and the ICCA Awards).

Outside of North America, Athonet's customer base includes the Ministry of Interior in France, the Government of Finland, leading european telcos such as Orange (the leading operator in France), Enel (one of the leading global utilities) and the Government of Italy.



ITALY

Athonet SRL
Via Cà del Luogo 8,
36050 Bolzano Vicentino (VI)
ITALY

USA

Athonet USA Inc
1013 Centre Road, Suite 403S
Wilmington, DE 19805
U.S.A.

FRANCE

Athonet France SASU
33 avenue du Maine
Tour Montparnasse 26eme étage
75015 Paris
FRANCE

UK

Athonet UK Ltd
Ludgate House
107-111 Fleet Street
London EC4A 2AB
U.K.